

# PTU-D100 FAMILY

## Options

# PTU-D100

### Payload Bracket

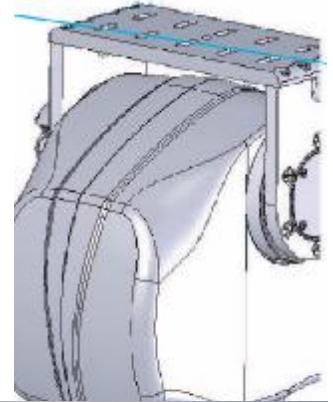
The Dual-side mount configuration consists of payload mounting hubs on both sides of the PTU. “L” brackets (D100AC-Bkt-Lstd) can be attached to either or both sides. Dual-side mount is recommended for heavier, multi-part payloads to allow balancing of the load for best performance. The top-mount configuration consists of a single top-mount bracket. Side-mount “L” brackets (D100AC-Bkt-Lstd) are not included with the unit and should be ordered separately.

### Payload Wiring

The PTU-D100 includes an optional built-in slip ring allowing nx360-degree continuous pan. Signals are passed through from the base connector to the payload hub connector. The table at the right shows the available signals for the different options. PL02 configuration has only RS-485 host interface, an optional converter is available to provide RS-232 control.

### Modified Motion Ranges (limit vanes)

The PTU-D100 is available with alternate ranges of motion. See “PTU-D100 Family Motion Ranges” for details.



PAYLOAD WIRING OPTIONS	PL01	PL02	NONE
PASSED THROUGH	# conductors		
Power	2	2	n/a
Video	4	4	n/a
General	3	6	n/a
RF			n/a
<b>Total</b>	<b>9</b>	<b>12</b>	n/a
SIGNALS AT PAYLOAD			
TTL Outputs	1	3	n/a
PTU Host Control	0	3	n/a
CHA/CHB Serial Control	8	0	n/a
BASE CONNECTOR			
RS-232 Host Control	YES	NO	YES
RS-485 Host Control	YES	YES	YES

### Other and Custom Options

The PTU-D100 is available by special order with other configurations and options including:

- Alternative slip ring for different payload pass through signals
- Customized payload brackets
- Customized wiring harnesses

Contact your Sales Representative for details.

# PTU-D100 FAMILY

## Accessories

## PTU-D100

### Payload Bracket (D100AC-BKT-LSTD)

The PTU-D100 is designed with a modular payload mounting system. The standard “L” bracket (D100AC-BKT-LSTD) can be used on either side of a PTU-D100 dual-side mount configuration. The “L” bracket is not compatible with top-mount configurations.

The Payload Brackets are slotted to allow simple attachment of a variety of payloads. Hardware for attaching the Payload Bracket to the tilt hub are included.



### Cable Harness (D100AC-CAB-25BO, D100AC-CAB-ext-XX)

The PTU-D100 has a single MIL-style (MIL-C-26482) connector on the pedestal base. All signals from the pan-tilt unit and (optional) payload pass through this connector. The Cable Harness provides a convenient breakout of these signals into separate wires that terminate to standard connectors. The Cable Harness is offered in a standard length of 25 ft. D100AC-CAB-ext-XX are extension cables with male/female connectors to allow extension of the breakout cable or mating with customer system.

### AC/DC International Power Supply (D100AC-APS-30V)

The PTU-D100 accepts 9-30VDC input for powering the pan-tilt unit. Higher voltages are recommended for larger payloads and/or faster speeds. The AC/DC International Power Supply provides a convenient 110/220VAC power source for the pan-tilt unit. Dimensions: 3.44”W x 2.01”Hx7.61”L.

### Other

The PTU-D100 is available by special order with other configurations and options including:

- Alternative slip-ring for different payload pass through signals
- Customized payload brackets
- Customized wiring harnesses
- Ethernet interface for PTU
- GPS/GEO Pointing functionality
- Stabilization

Please contact your Sales Representative for details.



# PTU-D100 FAMILY

## Motion Ranges

## PTU-D100

### Standard Ranges of Motion

Standard pan and tilt ranges for PTU-D100 models are:

- Pan: +/- 175° (unless continuous is enabled)
- Tilt: +30/-90

During calibration the PTU-D100 must move through the full range of motion (for details see TECH NOTE 21 “Calibration Sequence” and the PTU-D100 User’s Manual for details). The PTU-D100 model family calibrates itself automatically using an internal precision limit detection system. This limit system has a fixed range of motion, and the position of this range of motion is fixed within the total possible rotation of that axis.

### Alternative Ranges of Motion

Alternative motion ranges can be provided as a retrofit or specified at time of order for pan and/or tilt axes. The following stock alternative motion ranges are available as retrofit or at order time (additional charges may apply).

Order ID	Range (degrees)	Axis
<b>S</b>	<b>+175 / - 175</b>	<b>Pan - Standard</b>
A	+005 / -005	Pan
B	+010 / -010	Pan
C	+025 / -025	Pan
D	+030 / -030	Pan
E	+035 / -035	Pan
F	+090 / -090	Pan
<b>S</b>	<b>+030 / -090</b>	<b>Tilt - Standard</b>
A	+005 / -005	Tilt
B	+010 / -010	Tilt
C	+025 / -025	Tilt
D	+030 / -030	Tilt
E	+035 / -035	Tilt
F	+090 / -090	Tilt
G	+000 / -040	Tilt
J	+015 / -065	Tilt
L	+030 / -080	Tilt
M	+020 / -045	Tilt
X	+010 / -045	Tilt
0	+000 / -045	Tilt